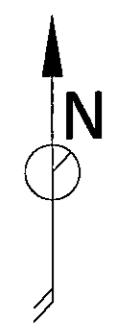
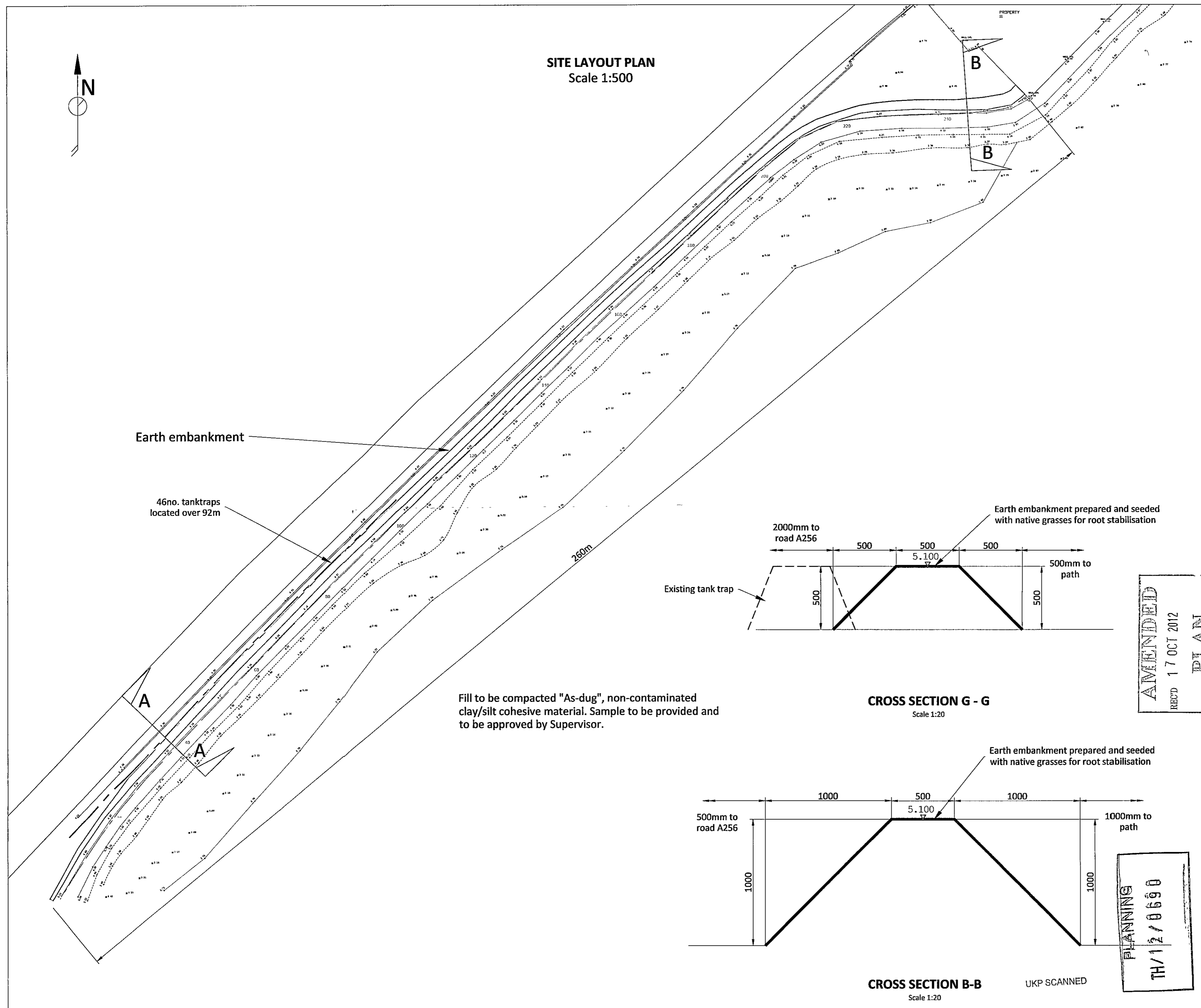


Based upon the Ordnance Survey mapping with the permission of the Controller of Her Majesty's Stationery Office. Crown copyright. Unauthorised reproduction infringes Crown copyright and may lead to prosecution or civil proceedings. Canterbury City Council License No 100019514. For reference purposes only no further copies may be made.



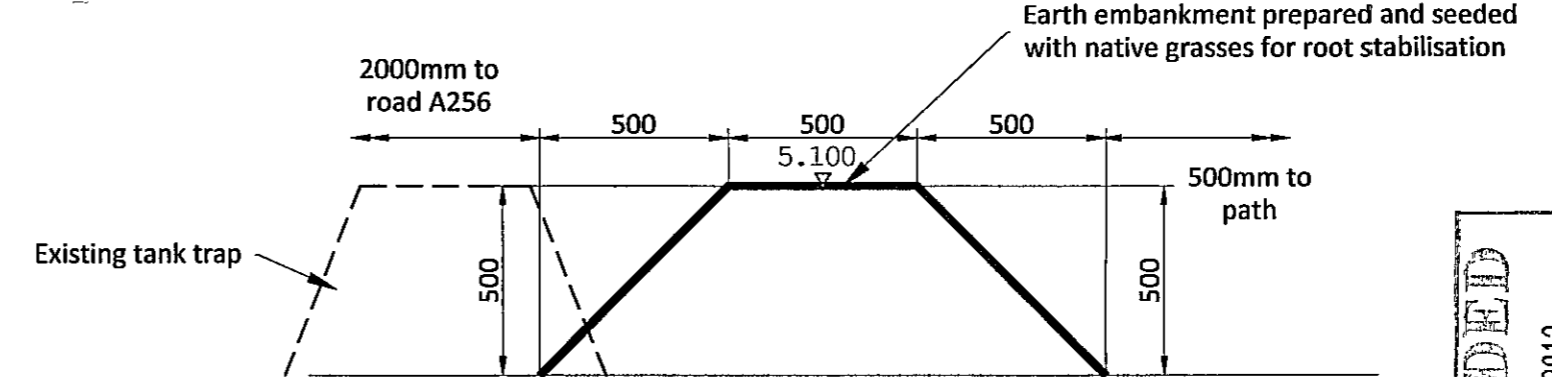
**SITE LAYOUT PLAN**  
Scale 1:500



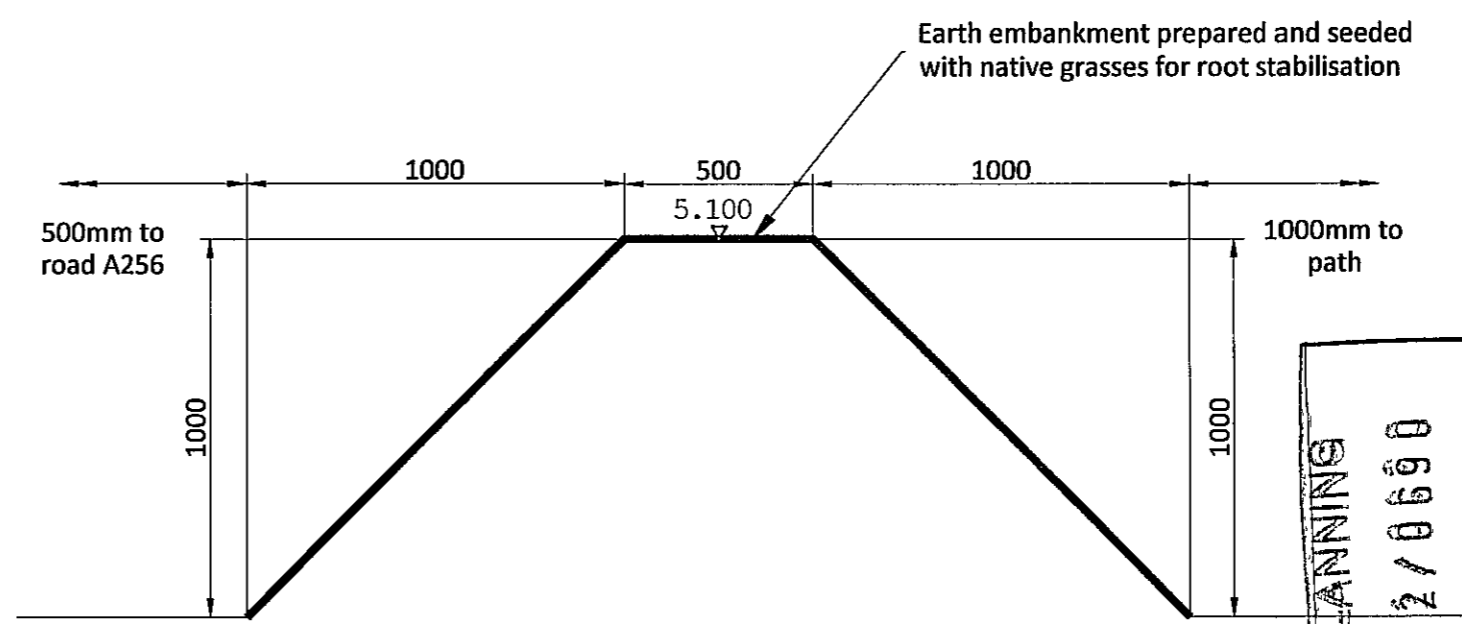
Earth embankment

46no. tanktraps located over 92m

Fill to be compacted "As-dug", non-contaminated clay/silt cohesive material. Sample to be provided and to be approved by Supervisor.



**CROSS SECTION G - G**  
Scale 1:20



**CROSS SECTION B-B**  
Scale 1:20


**AMENDED**  
 RECD 17 OCT 2012  
**PLAN**

**PLANNING**  
 TH/12/0690


A	Bund realigned to minimise impact to existing tank traps	LW
rev/date		checked

project		<b>PEGWELL BAY FLOOD DEFENCES</b>	
drawing title			
<b>EARTH EMBANKMENT PLAN</b>			
project ref	FJ2419	scale	as stated @ A2
drawn	RL	checked	LW
		date	July '12
drawing number	2951 - 04		revision
			A

Client:  
 Thanet District Council  
 Thanet Council Offices  
 P.O. Box 9  
 Cecil Street, Margate  
 Kent, CT9 1XZ



Consultant:  
 Canterbury City Council  
 Military Road  
 CANTERBURY  
 CT1 1YW  
 Tel: 01227 862000  
 www.canterbury.gov.uk



Engineering Services

UKP SCANNED