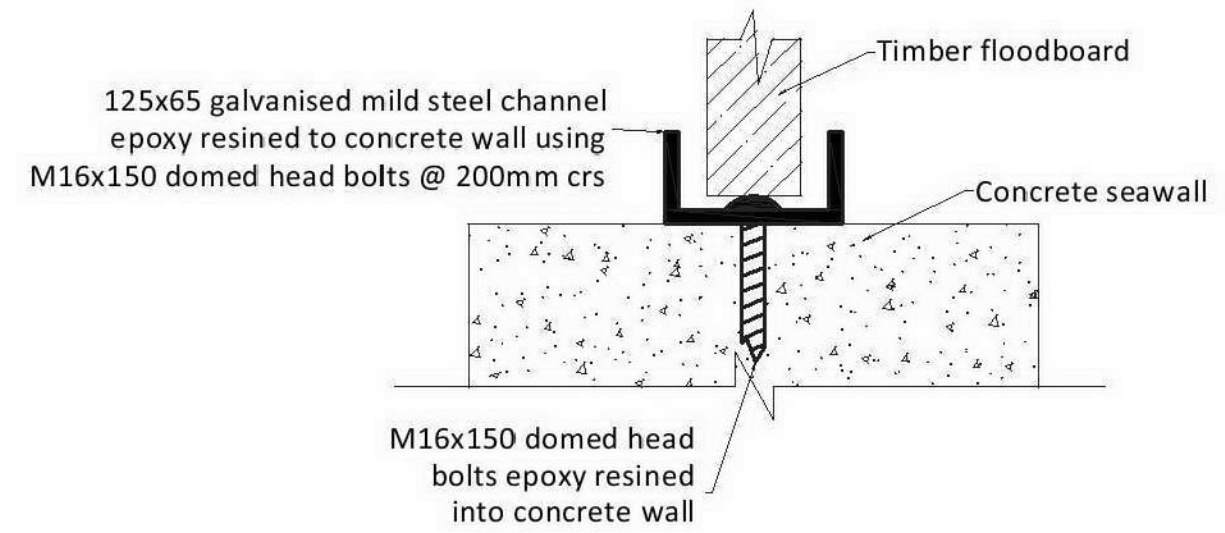
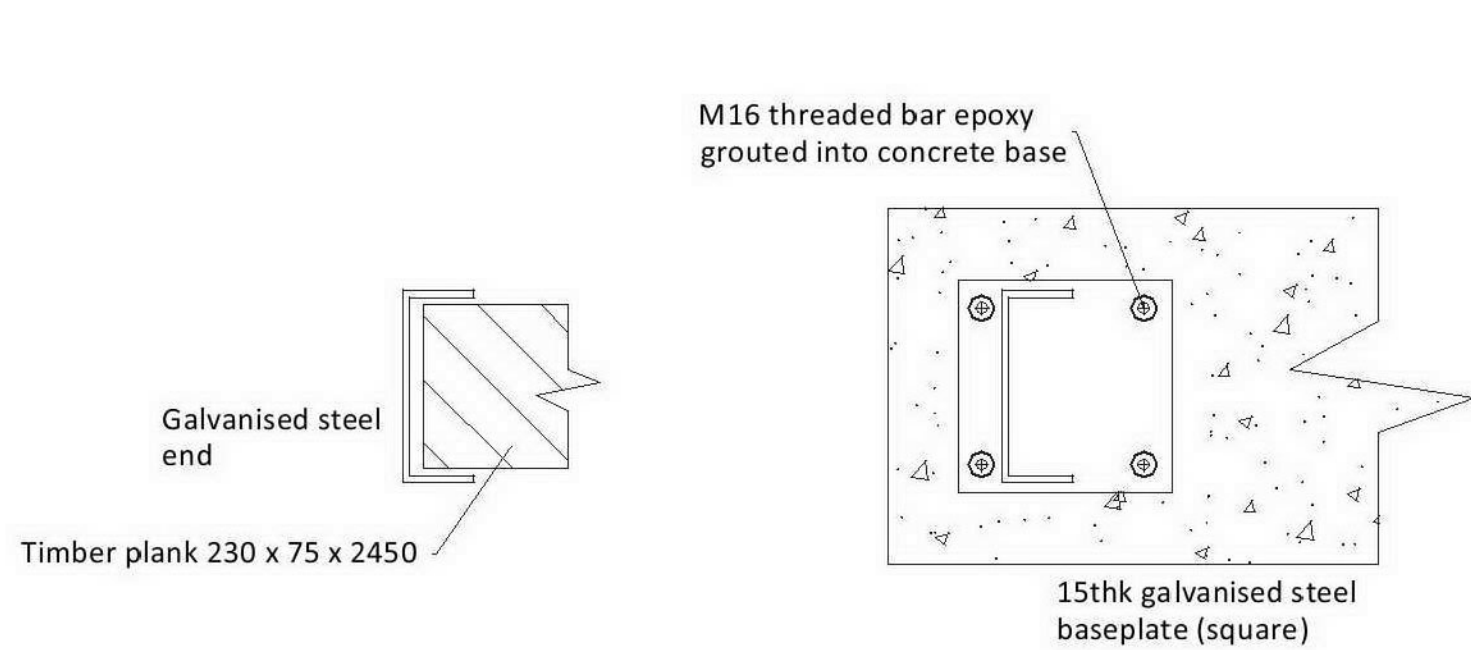


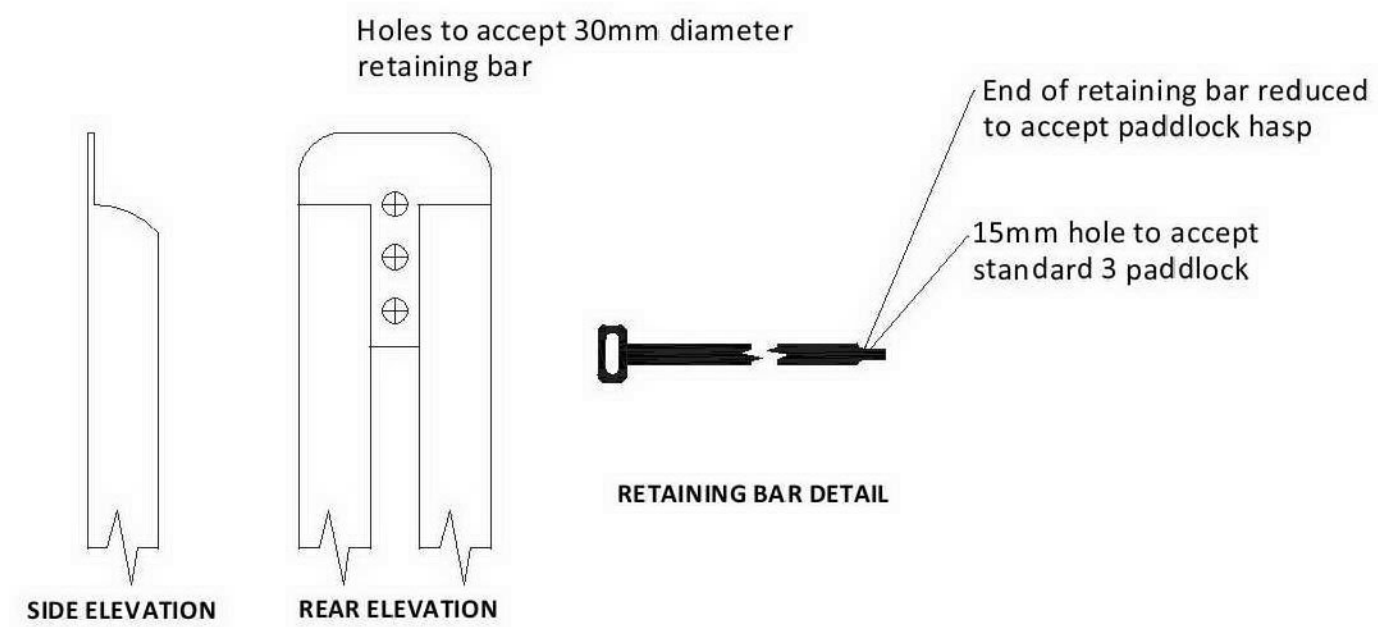
BOARDRACK DETAILS
Scale 1:10



CHANNEL DETAIL
Scale 1:5



FLOODGATE BASEPLATE DETAILS
Scale 1:10



**FLOODGATE STORAGE RACK END
DETAILS & RETAINING BAR**
Scale 1:10

rev/date		checked
project	PEGWELL BAY FLOOD DEFENCES	
drawing title	FLOODGATE AND BOARDRACK DETAILS	
project ref.	FJ2419	scale as ntd @ A2
drawn	checked	date
RL	LW	July '12
drawing number	revision	
2951 - 03		
Client:	Thanet District Council Thanet Council Offices P.O. Box 9 Cecil Street, Margate Kent, CT9 1XZ	
		
Consultant:	Canterbury City Council Military Road CANTERBURY CT1 1YW Tel: 01227 862000 www.canterbury.gov.uk	
		
	Engineering Services	